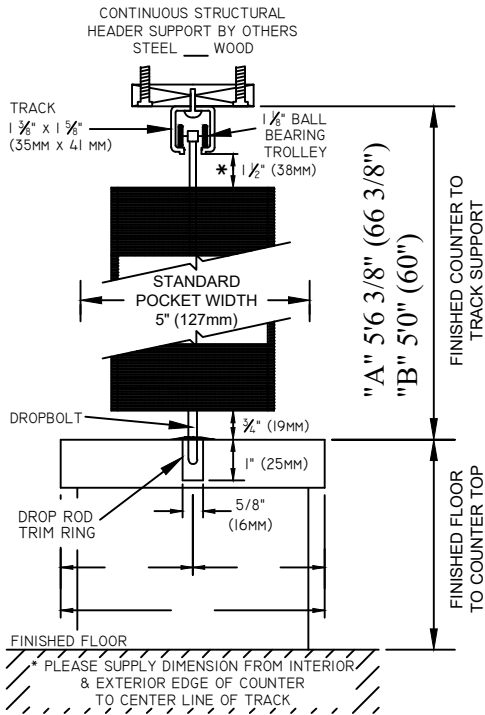
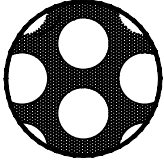


NOTE: Drawing is not to scale


**VERTICAL SECTION**
**SL Paravent**

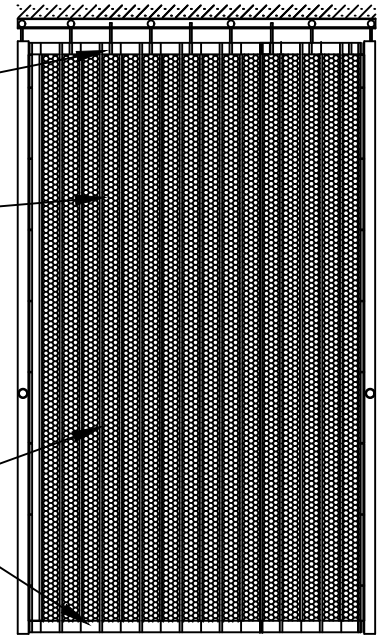
 LOAD REQUIREMENTS LBS/SQ. FT  
 STACKED 11.5  
 EXTENDED 1.8

2" aluminum panel as top transom

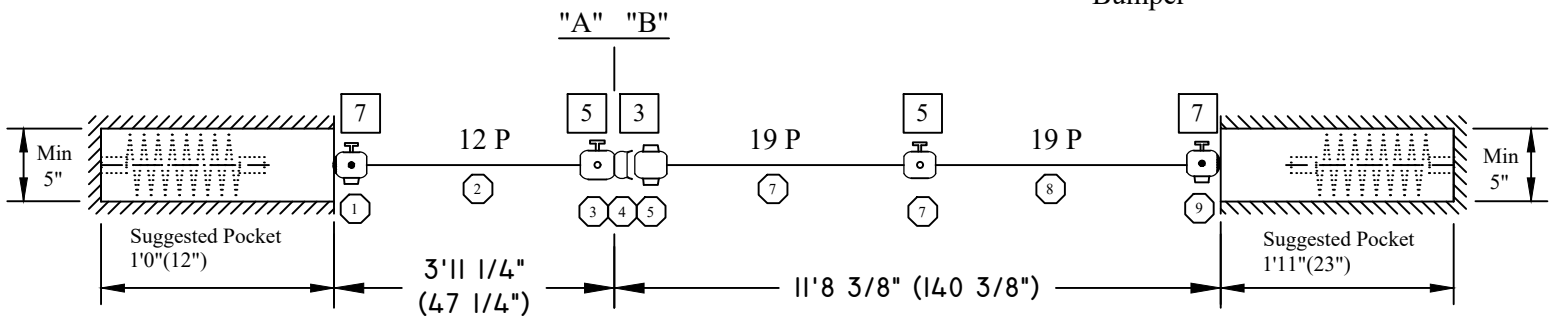
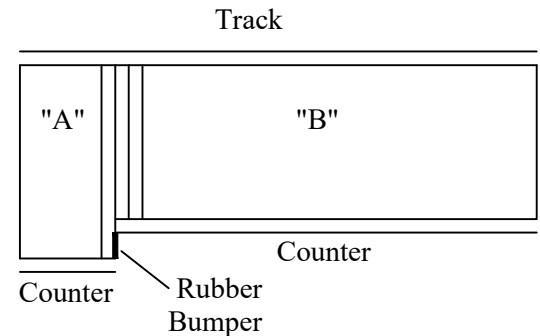


Perforated panels  
3/16" Diameter Holes  
18 Holes PSI, 50% Visibility

Closure built with continuous aluminum hinges: 3 1/2" on center


 - No Drop Rod Or Post Hanger  
 On Female Bipart Post

- # Post Number
- # Sequence Number

 Cafe  
Secure Side


Total Calculated Length = 16'0 1/8" (192 1/8")

Date: 05-05-21	Customer: Dynamic Closures (Ont) Ltd.	Project: Coquitlam Aquatic Cntr	Location: Coquitlam BC
Revised:	Clear Opening Width: "A" 3' 11 1/4" "B" 11' 8 3/8"	Clear Opening Height: "A" 5' 6 3/8" "B" 5' 0"	Finish: Clear Anodized P.O. No.: C-10542

 Approved: \_\_\_\_\_  
 Signature

 \_\_\_\_\_  
 Date

Quote No.: 619636-1