

9140 Series



The 9140 Benchmark by LCN is an electrically powered low-energy operator. It provides easy access for people with disabilities, or the elderly. Designed primarily for automatic opening applications that occasionally require manual opening. The Benchmark is a cost-effective solution for retrofitting an activated or manual door.

Features

Certifications	Grade 1 - A156.19, UL325/228, ADA, 100 Hour Salt Spray, Meets BAA - Buy American Act	Fasteners	Wood and Machine Screws (WMS)
Handing	Non-handed	Mounting	Single interior door, surface mount, offset pivot/butt hinge (push side)
Door width	<ul style="list-style-type: none"> 26" - 48" 26" minimum door width for 27" 36" door width only for full length pull operator 	Arms	Regular Arm (REGARM)
Warranty	2 years	Finishes/colors/powder coat	<ul style="list-style-type: none"> 628 Aluminum, Anodized 710 Dark Brown, Anodized

Special templates | Customized installation templates or products may be available to solve non-standard applications. Contact LCN Product Support for assistance.

Mounting	Handing	Finish	Cover	Arm function
Surface mount single door	Handed	Standard anodized	Standard (single lever)	Regular (push/pull)
Surface mount simultaneous pair	Non-handed	Metal	Regular (double lever)	Offset pivot arm
Surface mount independent pair			Double egress (push/pull)	Center pivot arm
Concealed single door				
Concealed simultaneous pair				
Concealed independent pair				

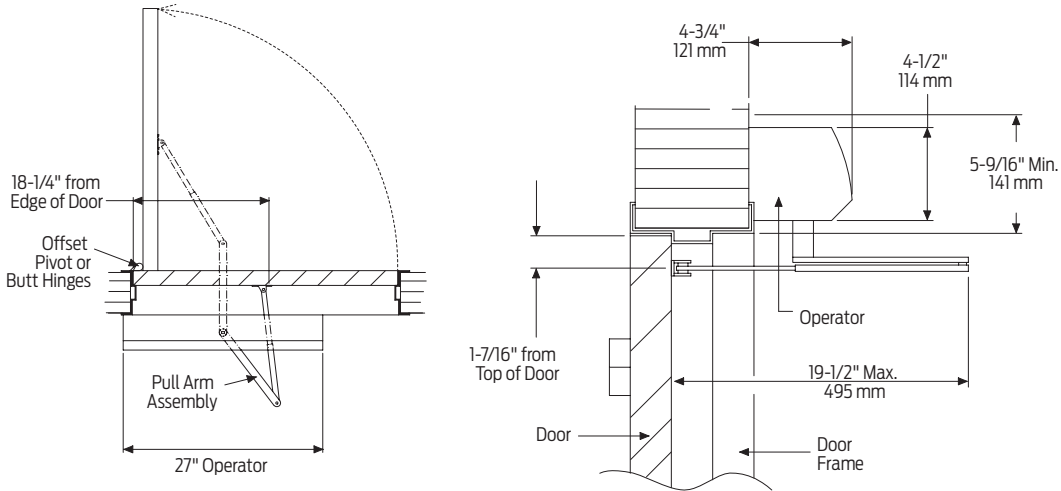
■ Available
■ Not available

Introduction
 Product selection guide
 Pneumatic systems / Auto equalizers / 2610/4810/4820/4840/7900 Series
 Electrohydraulic systems / Auto equalizers / 6400/4630/4640 Series
 Electromechanical systems / Benchmark / 9130/9140/9150 Series
 Electromechanical systems / Senior Swing / 2810/2850/2860/9530/9540/9550/9560 Series
 Actuators and accessories

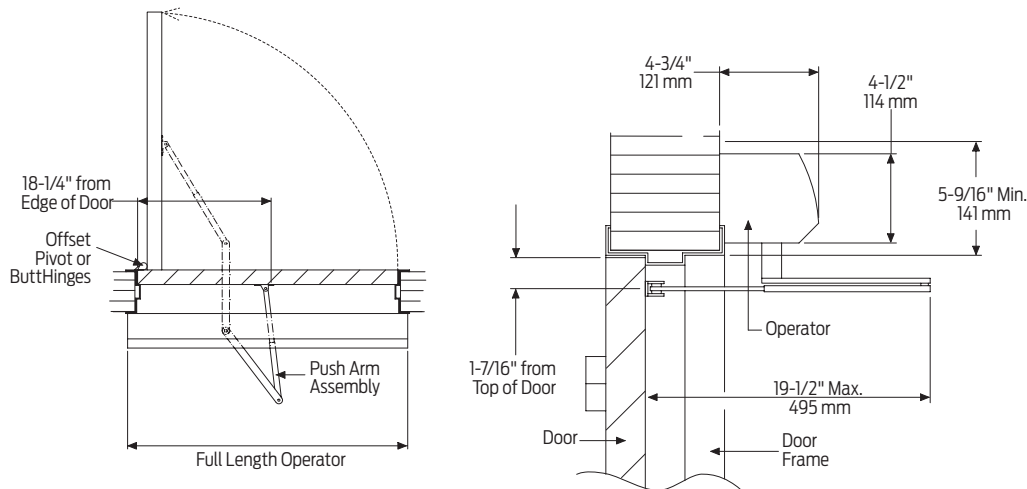
Mounting details

Top jamb (single door) mounting

Offset/butt hinge, center pivot, push, standard cover



Offset/butt hinge, center pivot, push, full cover



Butt hinges	Should not exceed 5" (127 mm) in width
Reveal	Push installations should not exceed 6" (152 mm) for regular arm and 9 3/4" (248 mm) for long arm
Top rail	<ul style="list-style-type: none"> Minimum 2" (51 mm) Flush ceiling installation requires 5 1/4" (133 mm) minimum
Head frame	Minimum 2" (51 mm)
Opening and closing time	<ul style="list-style-type: none"> Variable by adjustments to the electronic control module located on the operator assembly Maximum hold open time adjustable up to approximately 30 seconds
System diagram	See page 45 for typical system wiring and page 44 for electrical data
Maximum opening	Template allows 90 degree power opening and 90 degree manual opening

Notes:

- Push 'N Go permits non-switch activation with a microprocessor control box that ensures reliability and maintains customer settings
- Power boost allows for increased closing force near latch
- On/off switch is included as standard
- All potentiometers are clearly labeled with their functions
- LED lights indicate power to control box and motor gearbox

Accessories

Motor gearbox



**9140-3454S
Standard Motor Gearbox
(MGB)**

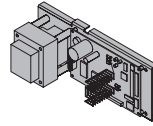
- Driving mechanism for operator (switch included)
- For 27" unit



**9140-3454
Standard Motor Gearbox
(MGB) (W/O Switch)**

- Driving mechanism for operator (switch not included)
- For full length unit (36")

Control box



**9140-3462
Standard Controller (120 volts)
(CTRL)**

- Electronic controlling device with power supply output and power boost feature

Arm



**9140-3077
Regular Arm (REGARM)**

- Non-handed



**9140-3077L
Long Arm (LONG)**

- Non-handed



**9140-79
Rod and shoe**

- For use with regular arm



**9140-79LR
Long rod and shoe**

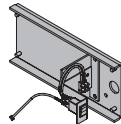
- Used with long arm, for deep reveals

Brackets



**9140-3018
Mounting Bracket**

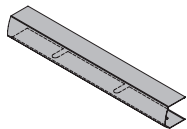
- Standard



**9140-3351-1
Switch bracket**

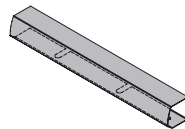
- 29" cable
- Used with a 36" door
- Used to locate switch at end of cover on full length unit

Covers



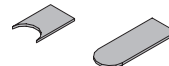
**9140-72MC
Standard 27" Metal Cover (MC27)**

- Non-handed
- 27"
- Extruded aluminum cover
- Standard



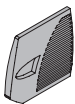
**9140-72FC
Full 36" Cover (FC36)**

- Non-handed
- 36"
- Extruded aluminum cover



**9140-163
Cover Insert**

- Used to cover operator shaft opening (includes 2 pieces)



**9140-163-1
Cover End Cap Insert**

- Used to cover switch hole opening



**9140-334
Cover End Cap**

- Black plastic
- Includes 9130-163-1 cover and cap insert